



EXTREMEMETAL
FABRICATORS

SKILLED CRAFTERS OF METAL ROOFING SYSTEMS

PREMIUM METAL
ROOF SYSTEM
CONCEALED FASTENER
SERIES

PLUSMAX

1 1/2" SNAP-LOCK CLIP STANDING SEAM



CLASSIC LINES & STRENGTH PLUS INSTALLATION EASE AND VALUE

The strength and beauty of a classic standing seam panel combine with ease of installation to make our PLUSMAX 1 1/2-inch snap-lock clip panel system a superior value. Concealed fasteners and an interlocking clip application provide sharp clean lines and exceptional wind resistance while also allowing for maximum thermal expansion and contraction. An ideal choice for residential or commercial projects, PLUSMAX offers all you expect from a standing seam metal roofing system and then some.

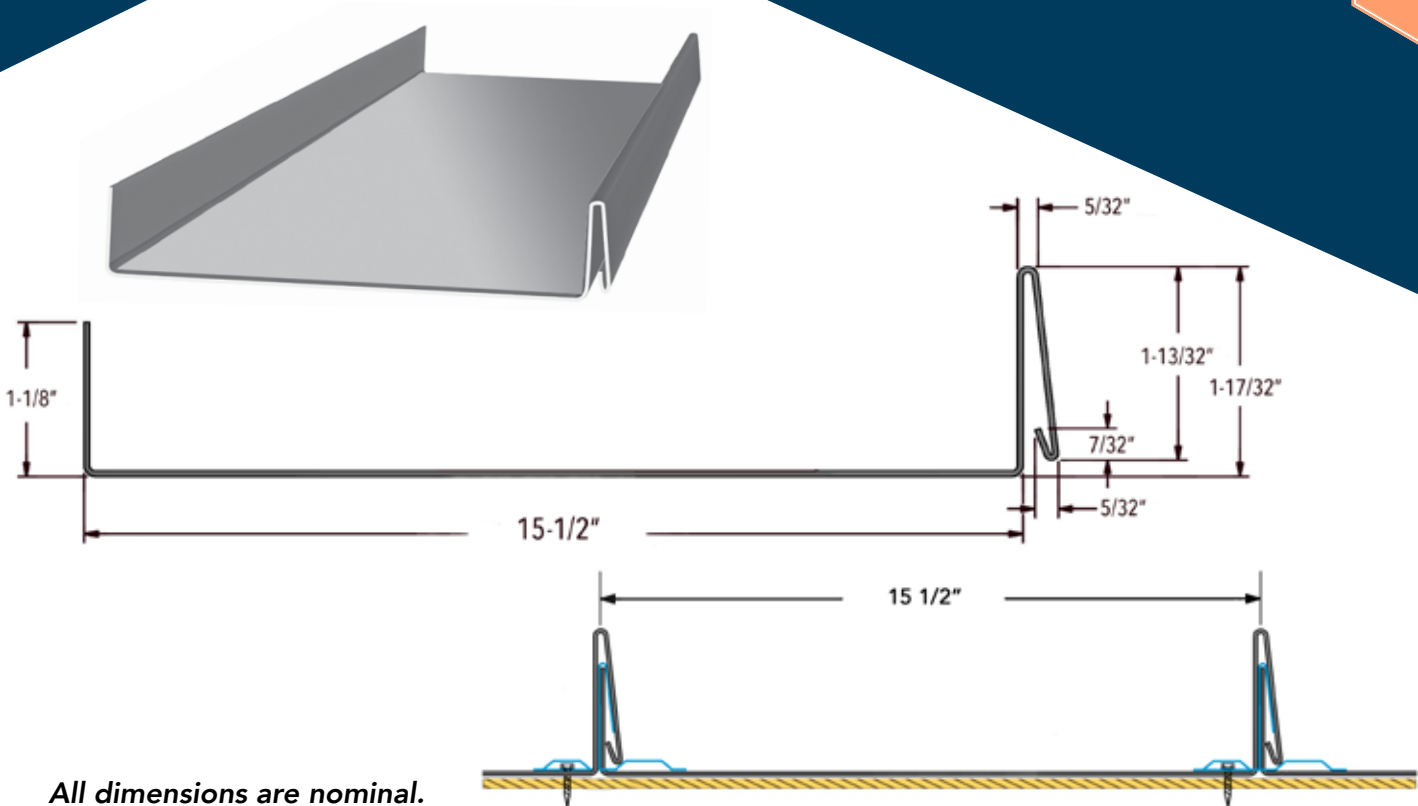
PRODUCT FEATURES

- Residential and commercial
- 1 1/2-inch, snap-lock clip standing seam
- Narrow 5/32-inch thick seam width
- Proven durability in light or heavy gauge options
- Concealed clips require no mechanical seaming
- Optional clip relief available
- Striated, pencil bead, ribbon bead or traditional flat seam available
- 25+ colors, custom available
- Custom lengths
- Free onsite production
- Warranties on materials and finishes up to 40 years

PLUSMAX

1 1/2" SNAP-LOCK CLIP STANDING SEAM

PREMIUM METAL
ROOF SYSTEM
CONCEALED FASTENER
SERIES



All dimensions are nominal.

PRODUCT TESTING

- **Uplift Resistance:** UL 580, TAS 110, TAS 125
- **Wind-Driven Rain:** TAS 100
- **Tensile Strength:** ASTM E8
- **Fire Rating:** UL 790
- **Accelerated Coating:** ASTM G152
- **Salt Spray Coating:** ASTM B117
- **Florida Building Code:** Approved HVHZ/Non-HVHZ
- **Miami-Dade County:** Product Control Approved

PRODUCT SPECIFICATIONS

- **Material:** 22 ga., 24 ga., or 26 ga. steel; .032 or .040 aluminum
- **Slope:** 2:12 or greater, site-specific also available
- **Support:** Wood deck support of 15/32-inch or greater plywood or 3/4-inch minimum solid wood plank
- **Coverage:** 15-1/2-inches nominal
- **Finish:** Kynar 500® Coating, Mill-Finished MaxAlúme (Acrylic-Coated Galvalume)
- **Sustainability:** Energy Star® rated products available
- **Quality:** Keystone Quality Assurance Program, Miami-Dade Quality Assurance Program

Images and drawings shown are for general illustrative purposes only and may not be an exact representation of the product. It is the responsibility of the building owner, contractor, installer, and design professional to determine applicable regulations, building codes, and accepted industry practices to verify the appropriateness of this product for a specific project. Oil canning is an inherent characteristic of light-gauge, cold-formed metal products and does not affect the integrity of panels. Talk to an EMF representative about striations, narrower panel widths and other options that can minimize oil canning.

833-EMF-ROOF EXTREMOMETALFABRICATORS.COM needmetal@emfab.net

